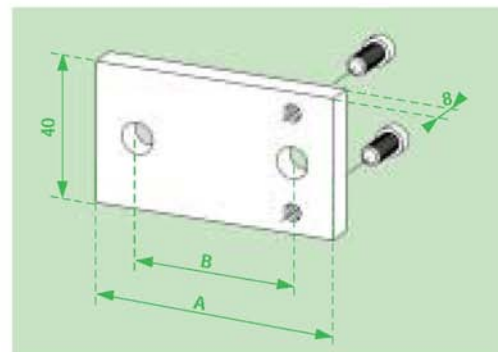
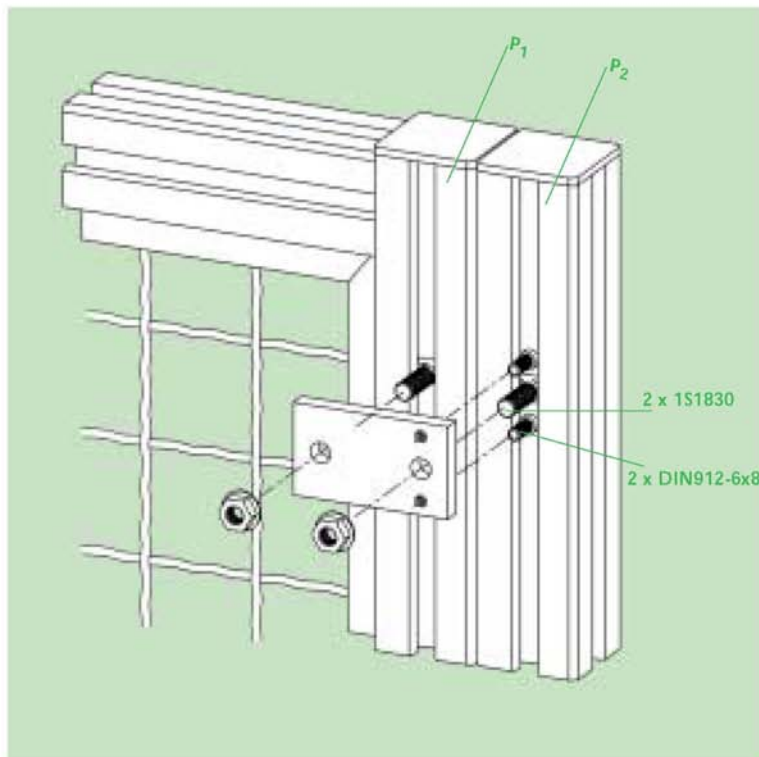






Pletina de sujeción



Aluminio anodizado / Anodized aluminium
 Aluminium anodisé / Aluminium eloxiert

		P1	P2	A (mm)	B (mm)
1V4545		45x45	45x45	74	50
2V4545		45x45	45x45	74	50
1V4535		35x35	45x45	69	45
2V4535		35x35	45x45	69	45